

# Clamping elements for workbenches



## Clamping element with variable throat depth TWV

Order number	Bolt Ø	Opening	Throat depth	Rail	Weight	PU	
	mm	mm	mm	mm	kg	qty.	V3
TWV16-20-15-2K	16	200	30-150	22 x 8.5	1.12	1	
TWV16-20-15K	16	200	30-150	22 x 8.5	1.04	1	
TWV16-20-15H	16	200	60-150	22 x 8.5	1.21	1	



## Clamping element with fixed throat depth TW

Order number	Bolt Ø	Opening	Throat depth	Rail	Weight	PU	
	mm	mm	mm	mm	kg	qty.	V3
TW16-20-10-2K	16	200	100	22 x 8.5	0.93	1	
TW16-20-10K	16	200	100	22 x 8.5	0.86	1	
TW16-20-10H	16	200	100	22 x 8.5	1.01	1	
TW22-20-10-2K	22	200	100	22 x 8.5	1.00	5	



- Precise, individual clamping
- Tempered profile and sliding arm for sprung and elastic clamping
- Infinitely adjustable throat depth (TWV)

Various design versions:

- High quality 2-component plastic handle and tommy bar with rounded ends – each with smooth-running trapezoidal threaded spindle and tool-free pressure plate replacement
- Lever handle with an indexing mechanism for controlled, fast and vibrationproof clamping
- TW22: Compatible with Barth and Beck lift tables

3D CAD data in the download area of the BESSEY website

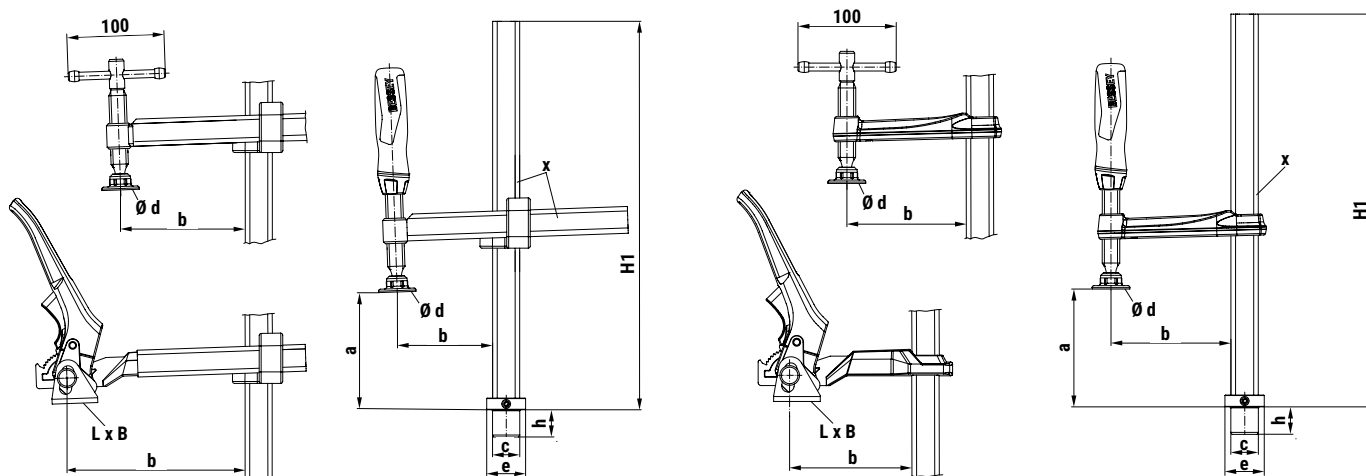


Table of dimensions TWV16 / TW16 / TW22

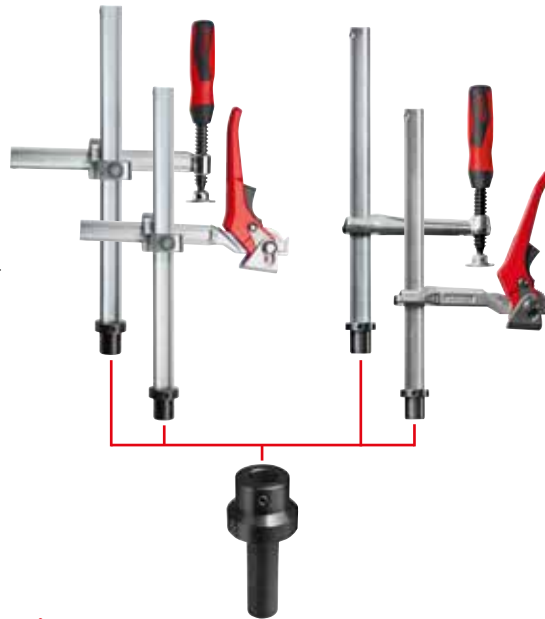
	Bolt Ø	Bolt height	Opening	Throat depth	Height of base H1	Pressure plate dimensions		Foot F		Rail profile
	c	h	a	b		L x B	Ø d	Foot Ø e	Foot height	x
	mm	mm	mm	mm	mm	mm	mm	mm	mm	mm
TWV16-20-15-2K	16	20.5	200	30-150	265	-	32	30	10	22 x 8.5
TWV16-20-15K	16	20.5	200	30-150	265	-	32	30	10	22 x 8.5
TWV16-20-15H	16	20.5	200	60-150	265	41 x 26	-	30	10	22 x 8.5
TW16-20-10-2K	16	20.5	200	100	265	-	32	30	10	22 x 8.5
TW16-20-10K	16	20.5	200	100	265	-	32	30	10	22 x 8.5
TW16-20-10H	16	20.5	200	100	265	41 x 26	-	30	10	22 x 8.5
TW22-20-10-2K	22	29	200	100	285	-	32	30	8	22 x 8.5



### Easily and quickly to use

BESSEY clamping elements of the TWV16 and TW16 series can be used with just a few turns on all standard workbenches:

- due to the con section of the TW16AW workbench adapter – available in 3 sizes suitable for 19 mm, 20 mm and 30 mm hole diameter
- due to replaceable bolts on the adapter for the use of further hole systems



### Precise and safe

BESSEY always offers the right clamping element for different requirements:

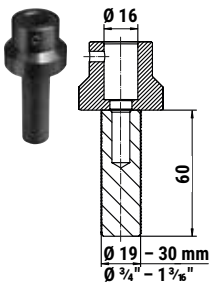
- due to 2 throat depth variants: either with infinitely adjustable (TWV) or fixed throat depth (TW)
- due to 3 handle variations: the 2-component plastic handle and tommy bar – each with smooth-running trapezoidal threaded spindle and tool-free pressure plate replacement – and lever handle with an indexing mechanism for controlled, fast and vibration-free clamping

### Robust and highly hard-wearing

The tried-and-tested BESSEY all-steel clamp solutions were the inspiration for the development of the clamping elements and guarantee a form-stable and torsion-free tool:

- due to the unique BESSEY steel quality, which is available in the optimized profile shape as well as the easy-going spindle
- due to the particularly hard-wearing steel cams at the lever handle

### Workbench adapter TW16AW



Order number	Diameter		Suitable for		Weight	PU	
	mm	mm	mm	"		kg	qty.
TW16AW19	16	19	3/4	0.33	10		
TW16AW20	16	20	13/16	0.34	10		
TW16AW30	16	30	1 3/16	0.52	10		

- Accessories for BESSEY TWV and TW clamping elements with 16 hole system
- Suitable for all common workbenches with a hole system
- Can be used without tools
- The stud pin can be changed to use other hole systems



BESSEY Tool GmbH & Co. KG ■ Mühlwiesenstraße 40  
74321 Bietigheim-Bissingen, Germany  
Fon +49 7142 401-0 ■ Fax +49 7142 401-452  
E-Mail: tool-info@bessey.de

More information  
[www.bessey.de](http://www.bessey.de)



Your dealer: